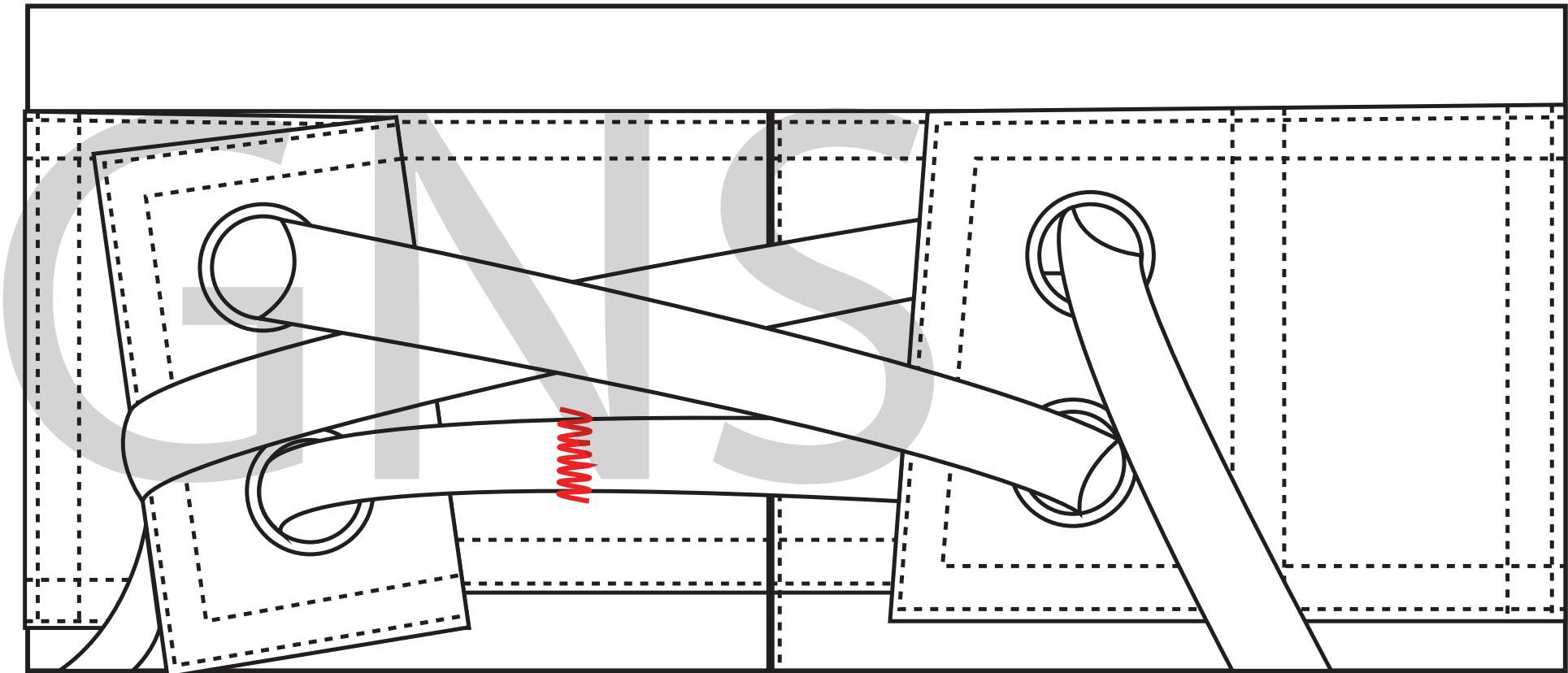
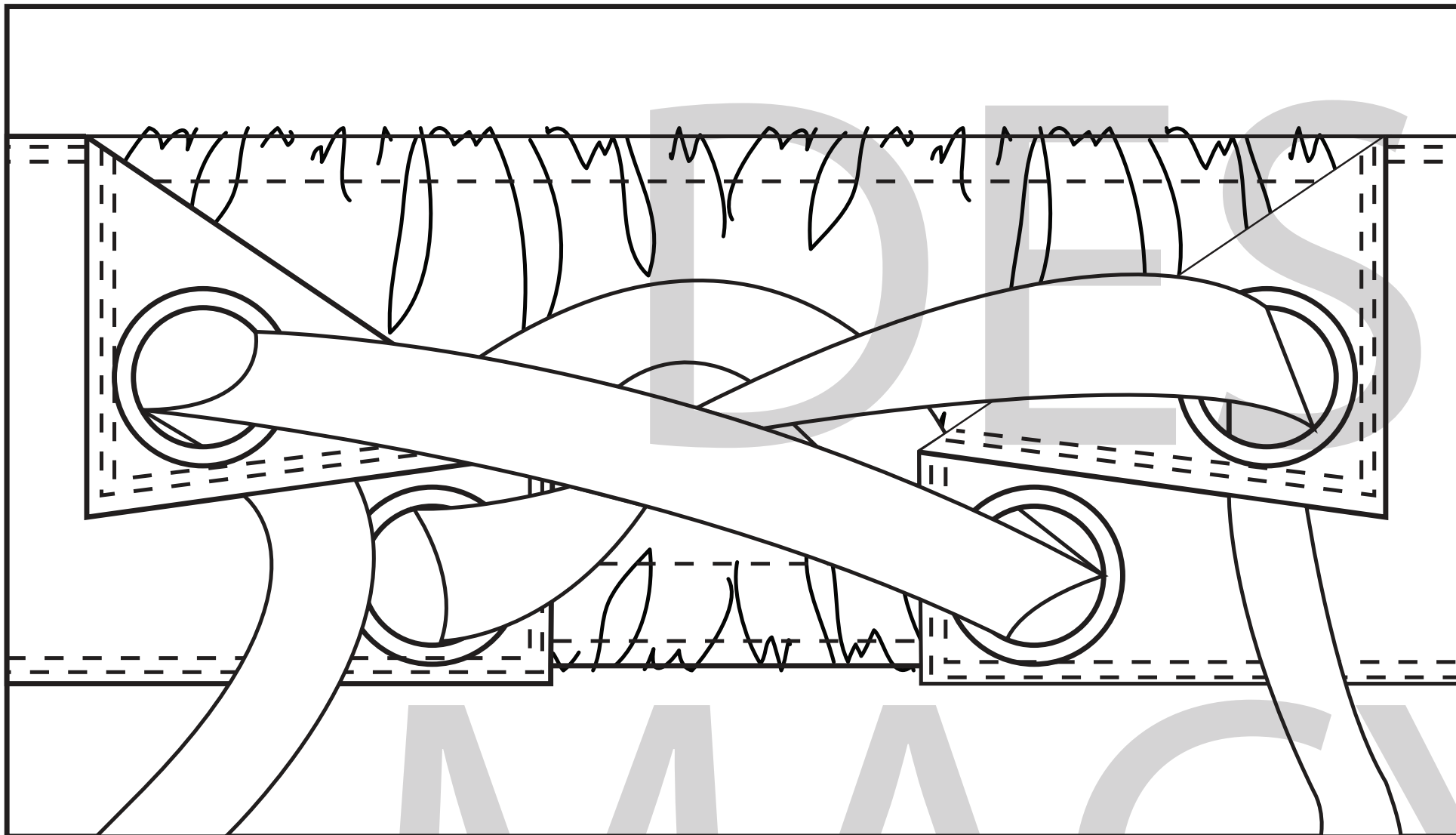
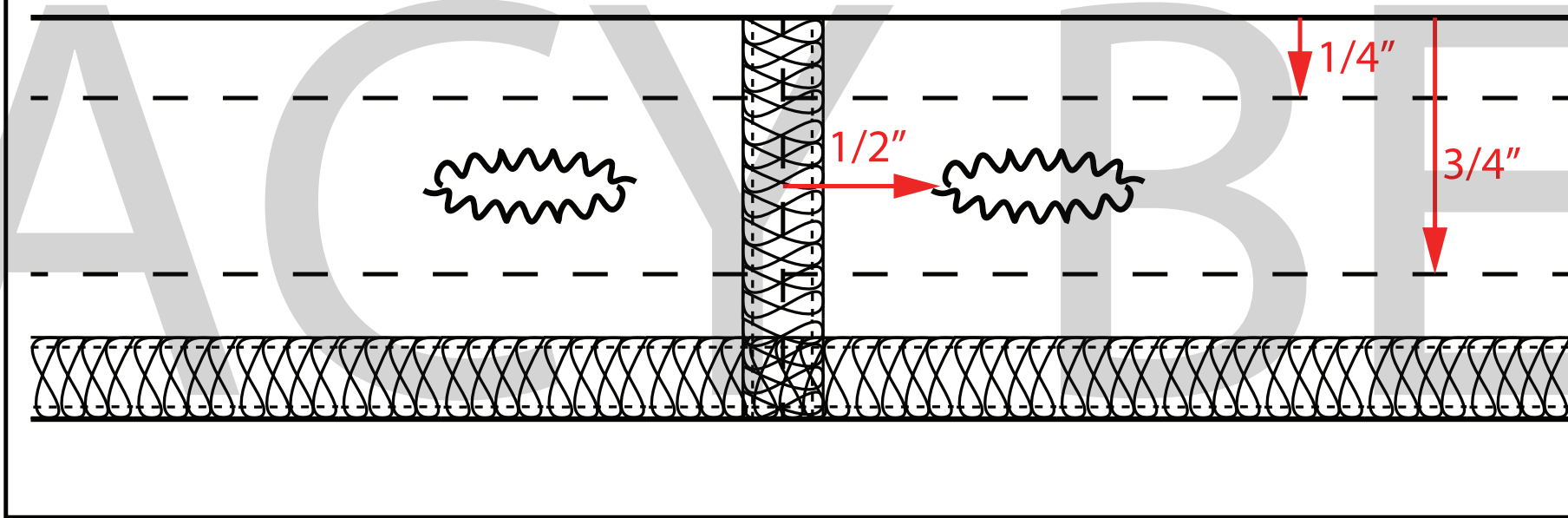


INSIDE WAISTBAND CONSTRUCTION:



CENTER FRONT BUTTONHOLE PLACEMENT:

